

# Pumps without dynamic seals

Hermetically sealed  
Reliable  
Durable

speck | 

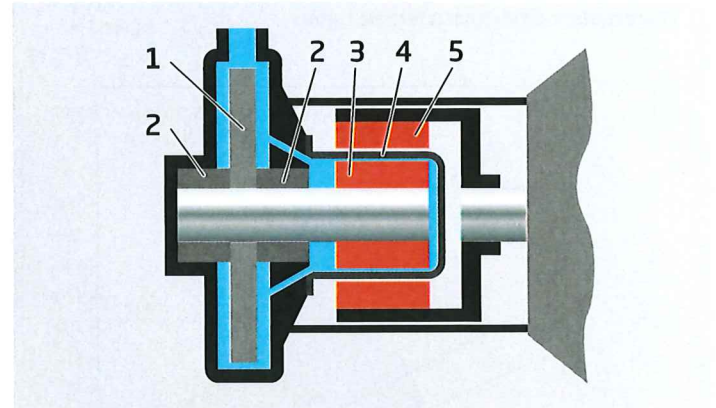
# Pumps without dynamic seals

## Design

- » Sealing of the pump casing via can or can with O-rings
- » Pump shaft with fluid-lubricated sleeve bearing

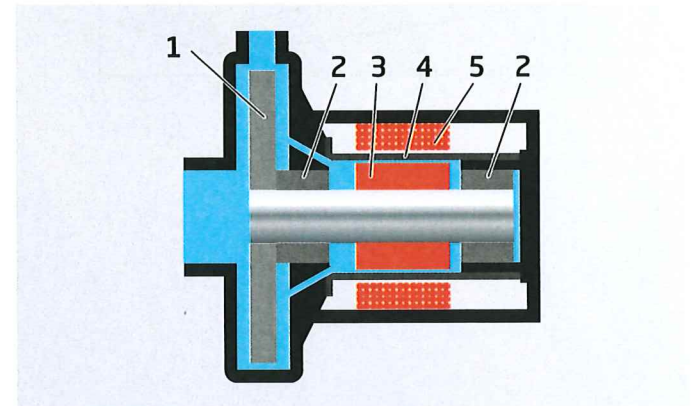
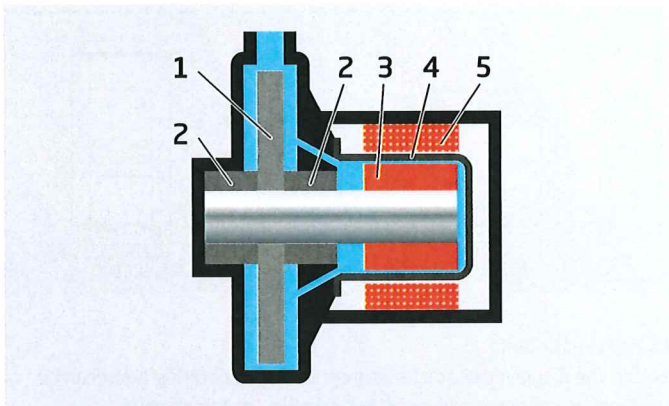
## Advantages

- » High-quality, robust and reliable pumps for continuous operation
- » Hermetically sealed
- » Maintenance and leakage-free



## Pumps with magnetic coupling

- |   |                                     |                                    |
|---|-------------------------------------|------------------------------------|
| 1 | Hydraulics                          | » Fluids from -100 °C up to 350 °C |
| 2 | Sleeve bearing                      | » Motors of all types              |
| 3 | Inner rotor on pump shaft (Magnet)  |                                    |
| 4 | Can                                 |                                    |
| 5 | Outer rotor on motor shaft (Magnet) |                                    |



## Pumps with canned motor (Type 1)

- |   |                     |                                    |
|---|---------------------|------------------------------------|
| 1 | Hydraulics          | » Fluids from -60 °C up to +100 °C |
| 2 | Sleeve bearing      | » Extremely compact dimensions     |
| 3 | Rotor on pump shaft | » BLDC and synchronous motors      |
| 4 | Can                 |                                    |
| 5 | Motor winding       |                                    |

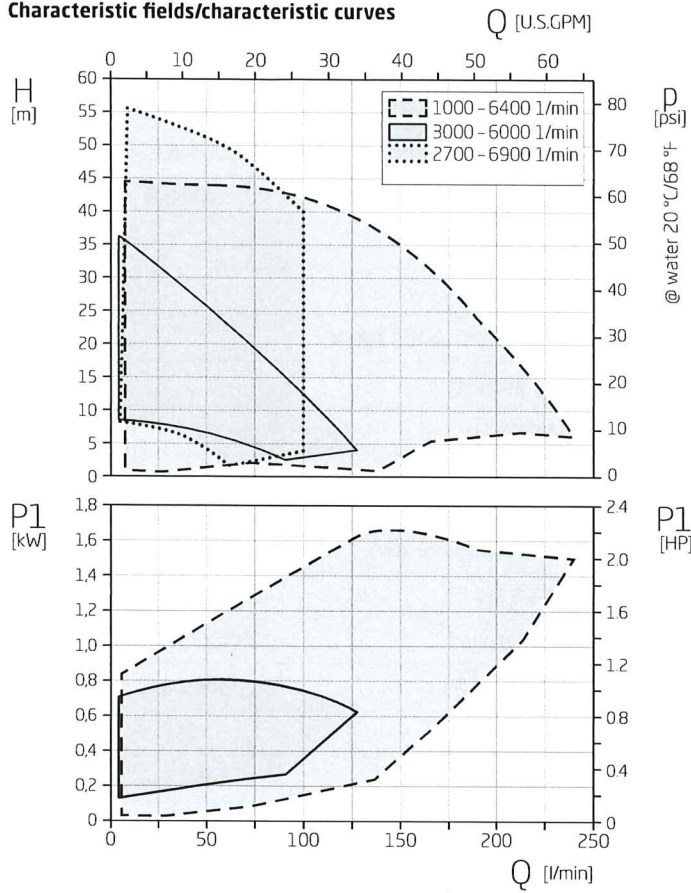
## Pumps with canned motor (Type 2)

- |   |                     |                                    |
|---|---------------------|------------------------------------|
| 1 | Hydraulics          | » Fluids from -40 °C up to +100 °C |
| 2 | Sleeve bearing      | » Compact dimensions               |
| 3 | Rotor on pump shaft | » Asynchronous motors              |
| 4 | Can                 |                                    |
| 5 | Motor winding       |                                    |

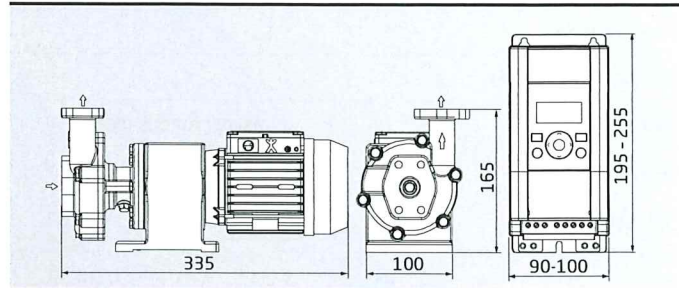


# Centrifugal pumps | Hydraulics MY-4-MK-PM, MY-...-PM-SR

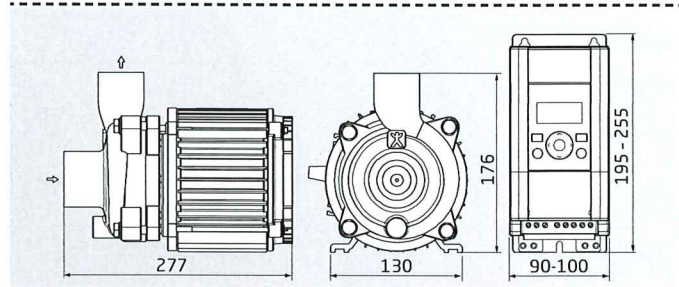
Characteristic fields/characteristic curves



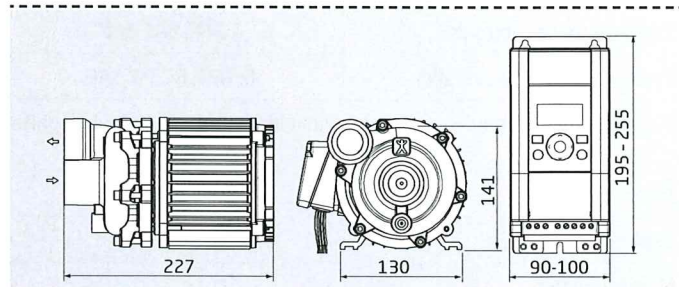
MY-4-MK-PM



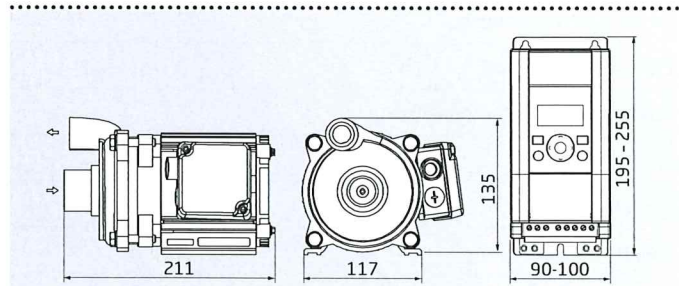
MY-25-90-PM-SR (ax/top)



MY-25-90-PM-SR (ax/ax)



MY-18-90-PM-SR (ax/ax)



## Characteristic fields

Within the displayed characteristic curves, any operating point can be realized by a corresponding parameterization of the drive.

## Characteristic fields/characteristic curves

Measurements according to EN ISO 9906 class II. The characteristic curves apply for pumping water with a temperature of 20 °C at nominal speed. If the media to be pumped have different properties, different characteristic curves apply.

Type	MY-4-MK-PM	MY-25-90-PM-SR	MY-18-90-PM-SR
Product type	centrifugal pump		
Torque transmission	magnetic coupling	canned motor	
Motor	synchronous motor		
Speed control	with		
Typical fluids	water max. +160 °C, 220 °C on request	water max. +100 °C	
	oil max. +350 °C	water-glycol mixture max. +100 °C	
		oil max. +100 °C	
Suction characteristics	normal-priming		
Nominal pressure	PN 10	PN 16	
Type of current	3~	3~/DC on request	
Voltage	208-240/380-480 V (depending on frequency inverter)	208-240/380-480 V (depending on frequency inverter), 48 VDC	
Power (P2)	0,5 kW higher motor power on request	1,5 kW, 1,1 kW (48 VDC)	0,75 kW, 0,75 kW (48 VDC)
Speed	1000-4000 min <sup>-1</sup>	1000-6400 min <sup>-1</sup>	2700-6900 min <sup>-1</sup>
Suction connection size	G 3/4", SAE 3/4"	G 1 1/4"	G 1"
Suction connection version	G, NPT, Rc, PT, SAE	G, NPT, Rc, PT	
Pressure connection size	G 3/4", SAE 3/4"	ax/top: G 1" ax/ax: G 1 1/4"	G 3/4"
Pressure connection version	G, NPT, Rc, PT, SAE	G, NPT, Rc, PT	
Pump casing material	stainless steel		
Material of seals	depending on fluid		
Explosion protection	without		
Motor cooling	cooling fins and fan	fluid and cooling fins	
Motor bearings	rolling bearing	sleeve bearing	
Position of connections	optionally left, top and right		
Electrical connection	terminal box or cable		
Position of electrical connection	optionally left, top and right		
Life time	<20.000 h	<40.000 h	
IP protection class	IP54, higher IP classes on request		
Weight, approx.	12 kg	15 kg	
Motor efficiency	IE4		
Thermal protection class	class F		
Other		Motor cast with epoxy resin: No condensate formation, improved heat transfer, protection from vibrations and oscillations. Epoxy resin according to UL.	



## Representatives

- Produktion / Production
- Vertrieb / Sales
- Service / Service

■ **Speck Pumpen**  
**Walter Speck GmbH & Co. KG**  
**Speck Pumpen**  
**Systemtechnik GmbH**  
**Speck Pumpen**  
**Vakuuentechnik GmbH**  
 Regensburger Ring 6 - 8, 91154 Roth  
 T: +49 9171 809 10  
 F: +49 9171 809 10  
 info@speck.de  
 www.speck.de

□ **Speck Office Nord**  
**Ingenieure Willy Wandrach GmbH**  
 Flurstraße 105  
 22549 Hamburg  
 T: +49 40 398 624 0  
 F: +49 40 398 624 28  
 info@speck-nord.de  
 www.speck-nord.de

□ **Speck Office Mitte**  
 Grottrian-Steinweg-Str. 1c  
 38112 Braunschweig  
 T: +49 531 23 000 90  
 info@speck-mitte.de  
 www.speck-mitte.de

□ **Speck Office West**  
 Robert-Koch-Straße 22  
 40764 Langenfeld  
 T: +49 2173 914 560  
 info@speck-west.de  
 www.speck-west.de

□ **Speck Office Ost**  
 Dahlemer Str. 7a  
 04889 Belgern-Schildau  
 T: +49 34221 557 812  
 info@speck-ost.de  
 www.speck-ost.de

□ **Speck Office Südwest**  
 Frankenstr. 9  
 67227 Frankenthal  
 T: +49 6233 354 80 57  
 info@speck-suedwest.de  
 www.speck-suedwest.de

○ **IVT-Pumpen GmbH**  
 Zum Wischfeld 1 A  
 31749 Auetal  
 T: +49 5752 929 597  
 F: +49 5752 929 599  
 info@ivt-pumpen.de  
 www.ivt-pumpen.de

○ **FSE Fluid Systems Erfurt**  
 Poeler Weg 6  
 99085 Erfurt  
 T: +49 361 550 715 0  
 F: +49 361 550 715 19  
 info@fluidsystems.org  
 www.fluidsystems.org

○ **Vacuum pumps**  
**Arpuma GmbH**  
 Ottostrasse 10  
 50170 Kerpen  
 T: +49 2273 953 300 0  
 F: +49 2273 953 300 20  
 info@arpuma.de  
 www.arpuma.de

## International

### A Austria

□ **Tuma Pumpensysteme GmbH**  
 Eitnergasse 12  
 1230 Wien  
 T: +43 191 493 40  
 F: +43 191 414 46  
 sales@tumpumpen.at  
 www.tumpumpen.at

### AUS Australia

□ **Speck Subsidiary**  
 Speck Industries Pty Ltd.  
 Unit 2  
 6 Glory Road  
 Gungahra WA 6077  
 T: 1300 207 380  
 F: +61 8 6201 1286  
 sales@speckaustralia.com  
 www.speckaustralia.com

### Speck Subsidiary

□ **Speck Industries Pty Ltd.**  
 11 Havlock Road  
 Bayswater VIC 3153  
 Melbourne  
 T: 1300 207 380  
 F: +61 8 6201 1286  
 sales@speckaustralia.com  
 www.speckaustralia.com

### B Belgium

Heat transfer pumps / Pompes pour fluid thermique  
 □ **FLOWMOTION BVBA**  
 Mergelweg 3  
 1730 Asse  
 T: +32 2 309 67 13  
 F: +32 2 309 69 13  
 info@flowmotion.be  
 www.flowmotion.be

□ **SPECK - Pompen België N.V.**  
 Bierweg 24  
 9880 Aalter  
 T: +32 937 530 39  
 F: +32 932 500 17  
 info@speckpompen.be  
 www.speckpompen.be

### BG Bulgaria

□ **EVROTECH EOOD**  
 ul. Manastirska 54 A  
 1111 Sofia  
 T: +359 2 971 32 73  
 F: +359 2 971 22 88  
 office@evrotech.com  
 www.evrotech.com

### CH Switzerland

□ **Huckauf Ingenieure GmbH**  
 Bürglenweg 4  
 8854 Gaisgenen  
 T: +41 554 425 094  
 F: +41 554 425 094  
 info@huckauf.ch  
 www.huckauf.ch

□ **HänyTec AG**  
 Pumpen-Prozesse-Service  
 Lättfeld 2  
 6142 Gettnau  
 T: +41 62 544 33 00  
 F: +41 62 544 33 10  
 contact@haenytec.ch  
 www.haenytec.ch

□ **MEYER ARMATUREN PUMPEN GMBH**  
 Rigackerstrasse 19  
 5610 Wohlen  
 T: +41 56 622 77 33  
 F: +41 56 622 77 60  
 info@meyer-armaturen.ch  
 www.meyer-armaturen.ch

### CN China

□ **Speck Subsidiary**  
 Jianshan SPECK PUMPS  
 Systemtechnik Ltd.  
 No. 57, Hong Qiao Rd., Huimin Street  
 No. 4 Economic Developing Zone,  
 314100 Jianshan Xian,  
 Zhejiang Province  
 T: +86 573 847 312 98  
 F: +86 573 847 312 88  
 steveche@speck-pumps.cn  
 www.speck-pumps.cn

### CZ Czech Republic

□ **Sigmat spol s.r.o.**  
 Kosmonautu c.p. 1103/6a  
 77200 Olomouc  
 T: +420 585 231 070  
 F: +420 585 227 072  
 sigmet@sigmet.cz  
 www.sigmet.cz

### DK Denmark

□ **Pumpegruppen a/s**  
 Lundtoftegårdsvej 95  
 2800 Lyngby  
 T: +45 459 371 00  
 F: +45 459 347 55  
 info@pumpegruppen.dk  
 www.pumpegruppen.dk

### E Spain

□ **Speck Subsidiary**  
 S.L.U.  
 S.L.U.  
 Trafalgar, 53 despacho 6  
 Centro de Negocios CNAF  
 46023 Valencia  
 T: +34 963 811 094  
 F: +34 963 811 096  
 M: +34 618 376 241  
 ventas@speckbombas.es  
 www.speck.de

### F France

□ **Speck Subsidiary**  
 Speck Pompes Industries S.A.  
 Z.I. Parc d'Activités du Ried  
 4, rue de l'Energie  
 B.P. 227  
 67727 Hoerdit Cedex  
 T: +33 3 88 68 26 60  
 F: +33 3 88 68 16 86  
 info@speckfrance.com

### GB Great Britain

□ **Speck ABC UK Ltd**  
 ArenA House  
 Moston Road,  
 Elworth, Sandbach  
 Cheshire CW11 3HL  
 T: +44 1270 75 36 06  
 F: +44 1270 76 44 29  
 admin@speck-abc.com  
 www.speck-abc.com

### GR Greece

□ **SPECK Hellas**  
 Salamonis St. 54  
 17676 Kallithea  
 T: +30 210 956 500 6  
 F: +30 210 957 747 3  
 grecha@speckhellas.gr

### I Italy

Centrifugal pumps / Pompe centrifughe  
 □ **Speck Industries S.r.l**  
 Via Garibaldi, 53  
 20010 Canegrate (MI)  
 T: +39 0331 405 805  
 M: +39 339 16 59 440  
 info@speckindustries.it  
 www.speckindustries.it

Vacuum pumps / Pompe per vuoto  
 □ **Rio Nanta S.r.l.**  
 Via Mauro Marchi, 42  
 20124 Milano  
 T: +39 028 940 642 1  
 F: +39 028 323 913  
 M: +39 339 658 781 6  
 rionanta@rionanta.it  
 www.rionanta.it

### IL Israel

□ **Ringel-Tech Ltd.**  
 134 Hertzel St  
 P.O. Box 5148  
 6655530 Tel Aviv  
 T: +972 368 255 05  
 F: +972 368 220 41  
 info@ringel-tech.co.il  
 www.ringel-tech.co.il

### IND India

□ **Flux Pumps India Pvt. Ltd.**  
 427/A-2, Gultekdi Industrial Estate  
 Near Prabhat Printing Press  
 Pune - 411037, Maharashtra  
 T: +91 020 2427 1023  
 F: +91 020 2427 0689  
 M: +91 98504 03114  
 kiran.kadam@flux-pumps.in  
 www.flux-pumps.in

### J Japan

□ **Speck Subsidiary**  
 □ **Speck Japan Co. Ltd.**  
 Daisho Bldg. 3F,  
 2-1-16 Kyomachibori, Nishi-ku  
 550 - 0003 Osaka  
 T: +81 6 6486 9633  
 F: +81 6 6486 9643  
 info@speckjapan.com  
 www.speckjapan.com

### Speck Subsidiary

□ **Speck Japan Co. Ltd.**  
 Tokyo Branch  
 1-21-15  
 GakuenNishimachi, Kodaira-shi  
 187-0045 Tokyo  
 T: +81 4 2312 1628  
 F: +81 4 2312 1627  
 contact@speckjapan.com  
 www.speckjapan.com

### L Luxembourg

Heat transfer pumps / Pompes pour fluid thermique  
 □ **FLOWMOTION BVBA**  
 Mergelweg 3  
 1730 Asse  
 T: +32 2 309 67 13  
 F: +32 2 309 69 13  
 info@flowmotion.be  
 www.flowmotion.be

### MAL Malaysia

□ **Leesonmech Engineering (M) Sdn. Bhd.**  
 No. 18 Jalan 18, Taman Sri Kluang,  
 86000 Kluang, Johor  
 T: +607 777 105 5  
 F: +607 777 106 6  
 sales@leesonmech.com  
 www.leesonmech.com

### N Norway

□ **PG Flow Solutions AS**  
 P.O.Box 154, 1378 Nesbru  
 Nye Vakaas Vei 14  
 1395 Hvalstad  
 T: +47 667 756 00  
 F: +47 667 756 01  
 post@pg-flowsolutions.com  
 www.pg-flowsolutions.com

### NL Netherlands

Centrifugal pumps / Centrifugaalpompen  
 □ **Speck Pompen Nederland B.V.**  
 Businesspark 7 Poort  
 Stationspoort 1.0  
 6902 KG Zevenaar  
 T: +31 316 331 757  
 F: +31 316 528 618  
 info@speck.nl  
 www.speck.nl

### Vacuum pumps / Vacuümpompen

□ **INDUVAC B.V.**  
 Cobaltstraat 16  
 2718 RM Zoetermeer  
 T: +31 793 633 890  
 F: +31 793 633 899  
 info@induvac.com  
 www.induvac.com

### Heat transfer pumps / Pompes pour fluid thermique

□ **FLOWMOTION BVBA**  
 Mergelweg 3  
 1730 Asse  
 T: +32 2 309 67 13  
 F: +32 2 309 69 13  
 info@flowmotion.be  
 www.flowmotion.be

### NZ New Zealand

□ **Speck Subsidiary**  
 Speck Industries Pty Ltd.  
 Unit 2  
 6 Glory Road  
 Gungahra WA 6077  
 T: +61 8 6201 1286  
 sales@speckaustralia.com  
 www.speckaustralia.com

### P Portugal

□ **Ultra Controllo**  
 Projectos Industriais, Lda.  
 Quinta Lavi - Armazém B  
 Abrunheira  
 27 10 - 089 Sintra  
 T: +351 219 154 350  
 F: +351 219 259 002  
 info@ultra-controllo.com  
 www.ultra-controllo.com

### PE Peru

□ **Representaciones y Servicios en el Perú S.A.C.**  
 Jr. Alf. Bernal N° 1081, Interior 2  
 Lima 31  
 T: +511 653-7560  
 ventas@representacionesyserviciosperu.com  
 www.representacionesyserviciosperu.com

### PL Poland

□ **Krupinski Pompy Spółka z Ograniczona Odpowiedzialnoscia Sp.K.**  
 ul. Przymiarki 4A  
 31-764 Krakow  
 T + F: +48 126 455 684  
 biuro@krupinskipompy.pl  
 www.krupinskipompy.pl

### RC Taiwan

□ **Speck Subsidiary**  
 Speck Pumps  
 Technology Taiwan Ltd.  
 2Fl., no. 153, Sec. 2  
 Datong Rd., Xizhi District  
 New Taipei City  
 T: +886 286 926 220  
 F: +886 286 926 759  
 M: +886 936 120 952  
 speck886@ms32.hinet.net  
 www.speck-pumps.com.tw

### RC Chile

□ **W & F Ingenieria Y Maquinas S.A.**  
 Felix de Amesti 90, Piso 6  
 Las Condes, Santiago  
 T: +56 2 220 629 43  
 F: +56 2 220 630 39  
 M: +56 9 8 289 222 0  
 rwendler@wyf.cl  
 www.wyf.cl

### RI Indonesia

□ **PT Roda Rollen Indonesia**  
 Kompleks Pertokoan Glodok  
 Jaya No. 30  
 Jl. Hayam Wuruk,  
 Jakarta - Pusat  
 Indonesia, 11180  
 T: +6221 380 58 59  
 F: +6221 350 89 77  
 rudy@rodarollenindonesia.com

### ROK Korea

□ **J.C. International Inc.**  
 2F, Bileum Bldg. 108,  
 Yanghwia-Ro, Mapo-Gu,  
 121-893 Seoul  
 T: +82 232 628 00  
 F: +82 232 569 09  
 jylee@jicnt.co.kr  
 www.jicnt.co.kr

### RO Romania

□ **S.C. Gimsid S.R.L.**  
 Str. Arcului nr. 9, Arp.2  
 021031 Bucuresti  
 T: +40 21 2118701  
 F: +40 21 2102675  
 gimsid@gimsid.ro  
 www.gimsid.ro

### S Sweden

□ **Tillquist Group AB**  
 P.O.Box 1120  
 16422 Kista  
 T: +46 859 463 200  
 F: +46 875 136 95  
 info@tillquist.com  
 www.tillquist.com

### SK Slovak Republic

→ Czech Republic (CZ)

### SLO Slovenia

□ **Sensor d.o.o.**  
 Tančeva ulica 16  
 2000 Maribor  
 Slovenia  
 T: +386 2 461 44 60  
 M: +386 31 649 269  
 info@sensor.si  
 www.sensor.si

### SGP Singapore

→ Malaysia (MAL) Engineering (M) Sdn. Bhd.

### T Thailand

□ **Speck Subsidiary**  
 FLUX-SPECK Pump Co., Ltd  
 181/4 Soi Anamai  
 Srinakarin Road  
 Suanluang Bangkok 10250  
 T: +662 320 256 7  
 F: +662 322 248 6  
 thienchai@fluxspeck.com  
 www.fluxspeck.com

### TR Turkey

□ **Speck Pompa San. ve Tic. Ltd. Sti.**  
 Girne Mah., Küçükyalı Is Merkezi B Blok No.12 Maltpe  
 34852 Istanbul  
 T: +90 216 375 750 5  
 F: +90 216 375 753 3  
 M: +90 532 293 010 4  
 speck@speckpompa.com.tr  
 www.speckpompa.com.tr

### USA USA

□ **Speck Subsidiary**  
 Speck Industries LP  
 400 Meadow Lane  
 Carlstadt  
 NJ 07072  
 T: +1 201 569 3114  
 F: +1 201 569 9607  
 info@speckamerica.com  
 www.speckamerica.com